



FULL RANGE PRESSURE COMPENSATING VARIABLE FLOW CONTROL "YFC"

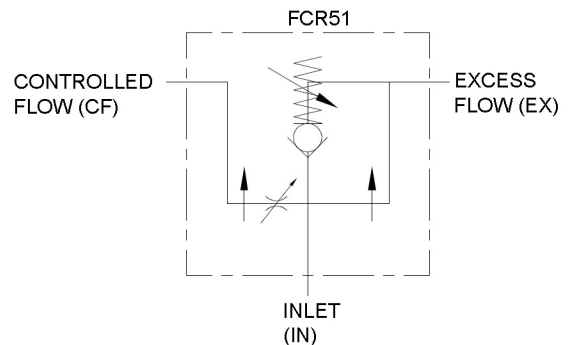
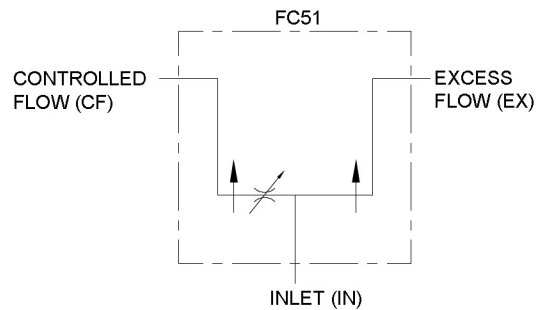
YFC51



SPECIFICATIONS:

See flow chart for capacity
 Rated for 3000 psi (207 bar)
 Weighs 7-3/4 lbs. (3.52 kg)
 30-Micron Filtration Recommended
 Torque to turn side lever spool
 -35 in lbs with 3000 psi
 (207 bar) on EX Port

YFCR51



Young Powertech Inc
 3060 Plaza Dr. #107
 Garnet Valley, PA 19060

Phone 888-465-3561
 Fax 610-558-0762
 Sales@yptius.com

www.Yptius.com

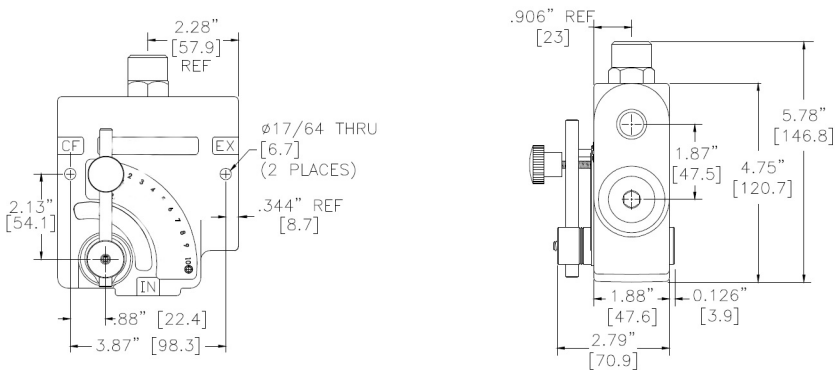
CHECK REVERSE SIDE FOR
 DIMENSIONAL DATA
 AND MODEL CODES





FULL RANGE PRESSURE COMPENSATING VARIABLE FLOW CONTROL "YFC"

YFCR51 AND YFC51 DIMENSIONAL DATA (inches & [millimeters]):
(YFCR51 shown)



MODEL CODES

Pressure Compensating Flow Control Valve

YFC51-10, SAE#10 PORTS
YFC51-12, SAE #12 PORTS
YFC51-50, 1/2" NPT PORTS
YFC51-75, 3/4" NPT PORTS
YFC51-8, SAE #8 PORTS

Pressure Compensating Flow Control Valve W/RELIEF

YFCR51-10, SAE#10 PORTS
YFCR51-12, SAE #12 PORTS
YFCR51-50, 1/2" NPT PORTS
YFCR51-75, 3/4" NPT PORTS
YFCR51-8, SAE #8 PORTS

Young Powertech Inc
3060 Plaza Dr. #107
Garnet Valley, PA 19060

Phone 888-465-3561
Fax 610-558-0762
Sales@yptius.com

www.Yptius.com